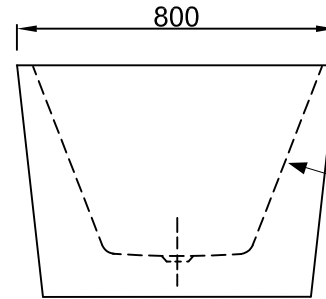
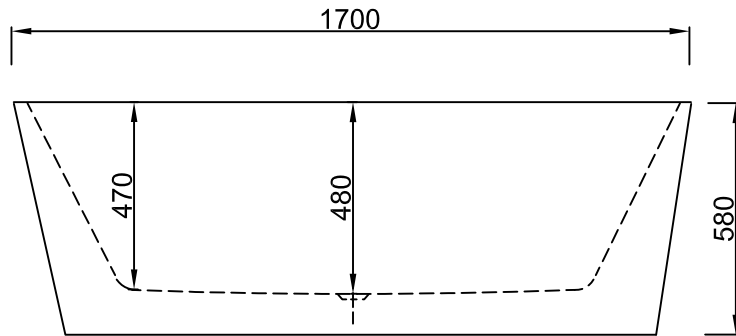


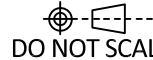
DETAIL A  
10:1



Reinforced with fibreglass coating, underside of bathtub only

UNLESS OTHERWISE SPECIFIED

- UNITS = MM
- X ± 0.50
- X.X ± 0.25
- X.XX ± 0.10
- ANGLES ± 1.0°



DO NOT SCALE



TITLE

STANDALONE BATHTUB - CINDY-1700

APPROVED BY HTAY DATE

SIZE A4

MATERIAL ACRYLIC WITH FIBREGLASS REINFORCEMENT

REV A

CHKD/APPD BY LEO DATE

SCALE 1:200

WEIGHT

DRAWING NUMBER

DRAWN BY HUIRONG DATE 2013.11.22

P/CINDY-1700/01

ECN	REV	REVISION DESCRIPTION	BY	DATE