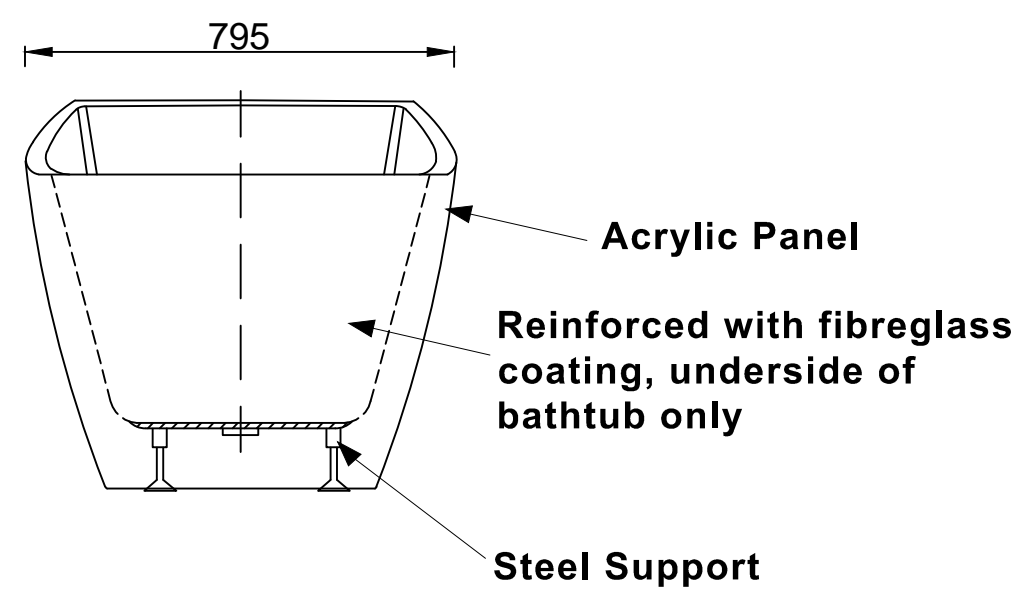
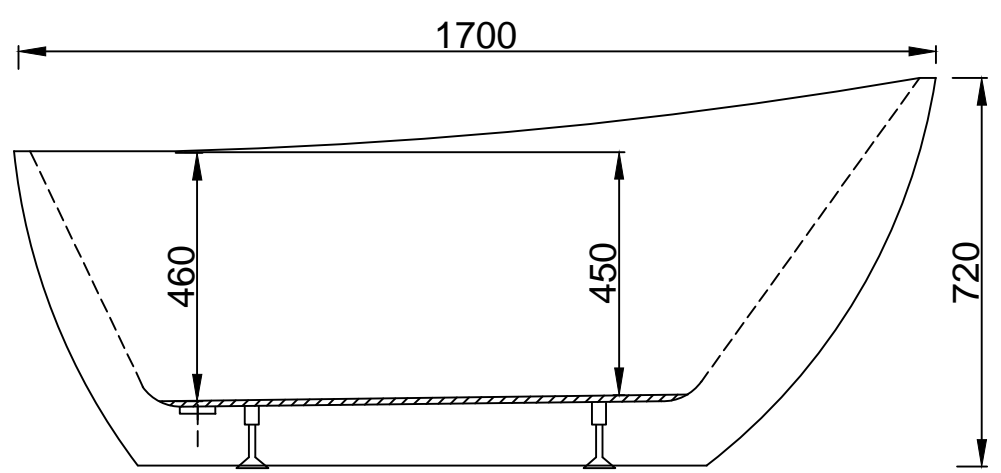
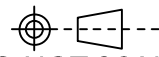


DETAIL A
10:1



UNLESS OTHERWISE SPECIFIED
 UNITS = MM
 X ± 0.50
 X.X ± 0.25
 X.XX ± 0.10
 ANGLES ± 1.0°

DO NOT SCALE



TITLE
 STANDALONE BATHTUB - PAULA-1700 x795 x 720
 WITH PANELS AND SUPPORT

APPROVED BY HTAY	DATE	SIZE A4	MATERIAL ACRYLIC WITH FIBREGLASS REINFORCEMENT	REV A
CHKD/APPD BY LEO	DATE	SCALE 1:200	WEIGHT	DRAWING NUMBER P/PAULA-1700/01
DRAWN BY HUIRONG	DATE 2014.09.17			

ECN	REV	REVISION DESCRIPTION	BY	DATE